



# The National Foundation for **Alternative Medicine**

TECHNICAL REVIEW AND RESEARCH PROPOSAL

## Emerging Opportunity: **Cancer Electromagnetic Frequency Therapy**

Mark J. Neveu (Ph.D.) Vice President of Medical Research  
Richard Blanco (P.E.) Technical Advisor

*The cell is a machine driven by energy. It can thus be approached by studying matter, or by studying energy. In every culture and in every medical tradition before ours, healing was accomplished by moving energy.*

Dr. Albert Szent-Gyorgyi  
*Nobel Laureate in Medicine*

Table of Contents		Page
I.	Executive Summary	2
II.	Conceptual Analogy of Cancer Electromagnetic Therapy	2
III.	Key Electromagnetic Biophysical Principles	3
IV.	Overview of Electromagnetic Therapies	6
V.	Cancer Electromagnetic Frequency Therapy	8
VI.	Clinic Investigation Status	9
VII.	Preliminary List of Clinics	11
VIII.	Selected References	16



## I. Executive Summary

**T**HE SCIENTIFIC PRINCIPLES of biology and physics are converging to provide novel approaches for the treatment of disease. In contrast to the destructive ionizing effects of conventional radiation therapies, electromagnetic therapy (EMT) acts to reversibly 'tickle' the vibrational frequencies of biological molecules to modify cellular activities. By non-invasively balancing cellular vibratory circuits, EMT can directly influence the body's systemic defense and repair mechanisms. The scientific rationale of EMT is reinforced by the "high tech" method that uses electromagnetic properties of biological molecules to identify new drugs ([www.signaturebio.com/wt/sig/mcs](http://www.signaturebio.com/wt/sig/mcs)). FDA approved EMT devices to reduce pain and stimulate healing are the first developments in this newly evolving field. Recently, international clinic scouts from the National Foundation for Alternative Medicine (NFAM) have identified an increasing trend in the use of non-invasive EMT devices to treat cancer patients outside the United States. If effectiveness can be scientifically documented, EMT has the potential to provide a non-invasive and minimally toxic method to jump-start the body's own tumor rejection process. Clinical experience has documented rapid and spontaneous remissions, showing that under the appropriate conditions the disease fighting and repair processes of the body can destroy even the most aggressive cancers. In the future, EMT devices might be able to therapeutically manage cancer by "resetting" the body, similar to the way electrical defibrillators "reset" normal heart function. NFAM has examined the biology and physics of EMT to determine if this non-invasive technology can be explained by accepted scientific principles. The purpose of this document is to demystify the field of EMT for the general reader, and to discuss the great potential of cancer EMT. A more rigorous technical review will be available from NFAM upon request. Based on the scientific rationale and preliminary clinical results presented, NFAM is seeking financial support to investigate medical records and treatment protocols necessary to generate our website clinic reports for patients and practitioners. Our goal is to identify three clinics to fund collaborative Phase II clinical trials to evaluate the effectiveness of EMT for cancer.

## II. Conceptual Analogy of Cancer Electromagnetic Therapy

**D**UE TO THE GENERAL difficulty understanding how concepts of physics relate to cancer the following analogy is provided to help conceptualize how EMT interacts with the biophysics of the body. In our cells, DNA acts just as a computer's binary code that runs various programs, and the nucleus is like the hard disk. Imagine that DNA mutations in cancer cells are like software problems (i.e. virus, system conflicts, etc). An increase in software errors (i.e. mutations) increases the chaos of the system and slows down the computer's overall performance. Simple software problems may only effect one program; however, complex software conflicts can severely effect the operating system and may ultimately cause the computer to freeze in the "on" mode (i.e. cancer). Similar to a computer with multiple software problems, cancer cells have at least 5-10 mutations in DNA sequences that regulate cell growth and can get stuck in the "on" mode. Programs that try to fix or "debug" a frozen program work like drug therapies. If the problem is simple the program (i.e. drug) can repair the error. However, if the problems are severe, even the most advanced utilities (i.e. drugs) will not be able to fix a frozen system. The only way to get the computer to work again is to reboot by turning off the power and restarting. EMT use specific frequencies to retune cellular signaling programs in order to restore optimal cell functions. Normal cells restart following EMT without a problem because their DNA (i.e. software) is normal. However, when cancer cells try to reboot the multiple defects in the DNA (i.e. mutations, chromosome alterations and viruses) prevent restart, thereby causing tumor cells to stop growing or to die.



### III. Key Electromagnetic Biophysical Principles

*'Molecules do not have to touch each other to interact. Energy can flow through...the electromagnetic field. ...The electromagnetic field along with water forms the matrix of life.'*

Dr. Albert Szent-Gyorgyi  
Nobel Laureate in Medicine

**T**HE SCIENTIFIC PRINCIPLES of biology and physics (i.e. biophysics) are converging to provide novel approaches for the treatment of disease. Biophysics researchers are finding that physical principles are not limited to non-living objects, but provide the basis for the molecular and cellular signaling in living organisms. This section describes specific examples of the biophysical concepts necessary to comprehend the mechanisms of EMT.

- ▶ Biophysical research documents that all chemical and mechanical reactions are electromagnetic on the atomic and molecular levels. The scientific rationale of EMT is reinforced by the "high tech" method that uses electromagnetic properties of biological processes to identify new drugs ([www.signaturebio.com](http://www.signaturebio.com)).
- ▶ Magnets used in many commercial health-care products have biophysical properties very different from EMT. A static magnetic field from metallic magnets does not emit electromagnetic frequencies or induce electrical current flow.

**Bioelectrical Interactions:** Electrical charge can be either positive or negative. Like charges repel (+/+ or -/-) while opposite charges attract (-/+). Electrical current results from the movement of excess negatively charged electrons from the negative (-) electrode of a circuit to the positive electrode (+). A neutral molecule has no net charge. A battery loses electrical activity when all of the positive charges that can attract electrons are neutralized. The building blocks of proteins can be neutral, positive, or negatively charged. The electrostatic forces between positively and

negatively charged amino acids direct and participate the three-dimensional folding of proteins and participates in the regulation of cellular activity. Because intermediates in enzymatic reactions can be electrically charged, modulation of electrostatic interactions by EMT can either increase or decrease the cellular activity of a protein.

**Electromagnetic Spectrum:** Energy is carried through free space on waves, similar to the way the energy of a stone cast into a pond creates ripples on the water's surface. It is the way the sun's light reaches the earth as well as the way invisible infrared light from a bonfire heats our palms. The full spectrum of electromagnetic energy covers a much wider range of wavelengths than those we are able to observe (i.e. visible light). The spectrum extends from the very short, such as gamma rays, to the very long, such as radio waves. The frequency of the waves can vary from ~.01 Hertz (Hz, .01cycle/second) too more than a 1,000,000,000,000,000,000,000,000 cycles per second ( $> 10^{24}$  Hz). The protein photoreceptors in our eyes can only detect light between  $10^{14}$  and  $10^{15}$ Hz. Basically, we are completely blind to  $> 99.99\%$  of the electromagnetic spectrum. Nonetheless, these waves are all around



us, some passing right through our bodies, others being absorbed and/or reflected. It is hard to realize the extent to which we are bathed in electromagnetic waves. Radio, television, Internet and telecommunications signals are all part of the invisible electromagnetic spectrum.

The study of the biological effects of invisible electromagnetic energies has revealed a variety of powerful therapeutic effects. For example, high frequency energy is commonly used by radiation oncologists to kill cancer cells by causing destruction of chemical bonds (i.e. ionization). Intermediate EMT frequencies are used in laser surgery to remove tumors. Slightly lower frequency microwaves are used to kill cancer cells via generation of heat (i.e. hyperthermia). Low frequency EMT (below 20,000 Hz) can produce anticancer effects without ionizing or heating effects.

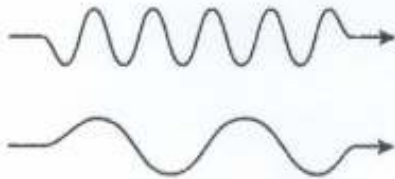


Figure 1. Frequency Wave

**Frequency:** Frequency is the number of times an electromagnetic wave cycles per second (Hertz). A complete sinusoidal wave cycle looks like the letter "S" turned sideways. The higher the frequency the greater energy. While low frequency waves carry less energy they can penetrate solid objects. Surprisingly, wave like properties, similar to those observed in light, are observed in all matter including solid objects. Not only electrons but also all other particles, charged or uncharged, show wavelike characteristics. Until recently, the words of the 'language of life' were nerve impulses and chemical reactions, but we now see that there is also a deeper layer of communication underlying these familiar processes. If words are the molecules, frequencies are the syllables that allow the word to be spoken. Specific electro-

magnetic frequencies have been shown to enhance capillary formation, reduce swelling, diminish pain, increase tensile strength of ligaments, and accelerate nerve regeneration. Furthermore, a shift in frequency can mean the difference between having osteocytes strengthen or break down bone tissue.

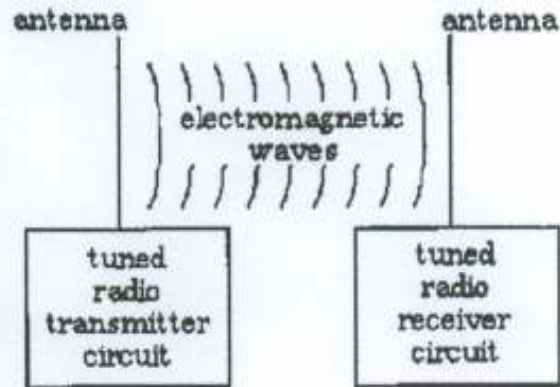


Figure 2. Radio transmitter and receiver (resonance)

#### Electromagnetic Induced Resonance:

Every inanimate and living structure has a certain natural or resonant frequency. This applies to all levels of complexity from the subatomic to whole organisms. When any two objects have similar natural frequencies, they can interact without touching; their vibrations become coupled and resonate like dancers in perfect step. A soprano shatters a crystal goblet by singing a high note coinciding with the natural frequency of the goblet. The atoms in the glass vibrate so strongly that they cannot hold together, and the goblet breaks. When you tune in to a radio or TV station resonance is used to detect the specific signal. Resonance is also observed in living tissues. The eye contains a protein, rhodopsin, which absorbs light. Specific wavelengths of light cause resonance within the structure of rhodopsin in such a way that a single photon can activate a large shift in molecular structure. This shift triggers a cascade of chemical reactions, the flow of millions of sodium ions across the rod cell membrane, and an electrical signal that is transmitted by the optic nerves to the brain. In a similar man-



ner when a hormone approaches a receptor, the electronic structures of both molecules begin to change. Recognition of a specific hormone by a receptor depends on the resonant vibratory interactions, comparable to the interaction of tuning forks. Activation of the receptor is the final step in an elaborate energetic dance of the electrons within the signal and receptor molecules. In some cases, triggering a receptor with an appropriate electromagnetic field is indistinguishable from triggering it with a hormone.

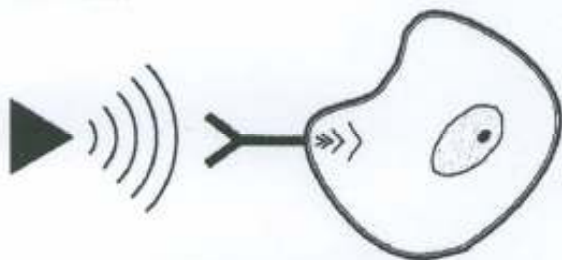


Figure 3. Activating a receptor and a cellular response via an electromagnetic signal.

#### Electromagnetic Effects on Current Flow:

A current is an assembly of moving charges. Faraday showed that changes in an electromagnetic field generate electrical current by a process called induction. The alternating current (AC) that we use for electrical power is produced by the induction process in power plants by rotating magnets at 60 cycles per second (60 Hertz). When a charge in a biological molecule moves or rotates, the electric field moves or rotates, and this sets up electromagnetic fields that are radiated into the environment. The opposite is also true: specific electromagnetic frequencies in the environment can be absorbed by a molecule, inducing movements of the component parts. Each component of the organism, even the smallest part, is immersed in, and generates, a constant stream of vibratory information (i.e. electromagnetic frequencies). Therefore, the life giving energy of the body is a complex mixture of both electric and magnetic fields.

**Bioelectricity:** Living organisms at all levels of complexity both generate and use electrical energy fields for development and regulating life

sustaining processes. We truly are "electrical" beings. Bioelectricity arises in cells due to proteins that pump specific ions (e.g. sodium, potassium) across cell membranes to form an electrical potential similar to that found in a battery. The electrical energy fields picked up from the heart (e.g. EKG), retina, muscles and brain (e.g. EEG) arise because of the electrical currents that flow as the cells carry out their activities. Studies show that proteins behave like semiconductors used in computers to rapidly transfer bioelectrical signals. All communication in the body takes place at a physical and atomic level, as infinitesimally weak electrical signals alter cell membrane permeability to allow the transfer of millions of ions back and forth in seconds. Every event in the body, either normal or pathological, produces change in both electrical and magnetic fields.

**Electromagnetic Profile of Biological Molecules:** Precise information on molecular behavior can be obtained using spectroscopy, which is based on the ability of molecules to absorb and emit electromagnetic fields. A molecule contains various charged components: protons, electrons, and side groups such as amino acids. Each of these charged particles has an electric field around it. Spectrometers are used to measure the emissions and absorption of molecules. The radiation or absorption profile is called a spectrum and every molecule in the body vibrates in a specific way. The spectrum is an electromagnetic 'signature' or 'fingerprint' that is an extremely precise representation of the motions of particles within it. So characteristic are these fingerprints that a chemist can use the spectrum to identify an unknown substance.

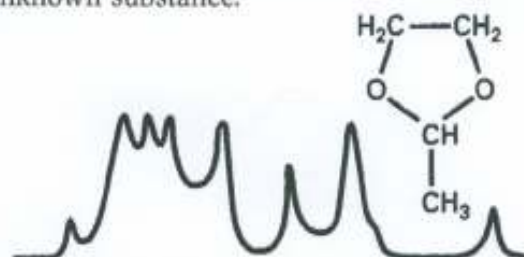


Figure 4. Absorption spectrum of a molecule (fingerprint)



## IV. Overview of Electromagnetic Therapies

*What is urgently needed is to be able to read the language of electromagnetic bio-communication to complement our understanding of the genetic code.*

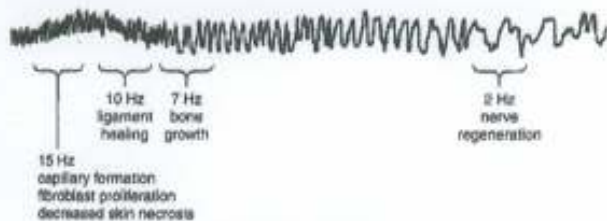
— C.W. Smith 1994

**I**N A REAL SENSE, electromagnetic medicine is "Einsteinian" since it is Einstein's discoveries that provide the key insights necessary to understand how energy and matter interact. The science of modern physics and theories of quantum physics have opened door to serious scientific inquiry into the use of specific electromagnetic frequencies to benefit health. At the atomic scale, physical contact between two molecules has less meaning than how they interact energetically. Biomolecules are similar to electrons in that their energetic subcomponents occupy different frequency modes, which we might call health or disease modes. For the human being whose energetic systems are in a "disease mode," only subtle energy of the proper frequency will be accepted to shift the body into a new mode or steady state of health. By rebalancing the energy fields that regulate cellular physiology, EMT restores order from a higher level of human functioning. Electromagnetic frequency therapies are not magic or superstition: they are scientifically based on biology, chemistry and physics.

### Overview Historical Practices:

Information from various ancient texts of Indian yogic literature speaks of special energy centers called "chakras." The chakras translate frequency energy into some type of glandular-hormonal output that subsequently affects the entire physical body. Chakras along with acupuncture meridians are now finding validation with the evolution of subtle-energy technologies that can measure their existence and function. Studies by Dr. Valerie Hunt at

UCLA found electromagnetic waves from chakras are at far higher frequencies than usually found radiating from other areas of the body. Recent research using a superconducting quantum interference magnetometer shows frequencies emanate from the hands of practitioners of therapeutic touch, Qi Gong, and related methods. The Therapeutic Touch signal pulse at a variable frequency, ranging from 0.3 to 30 Hz, with most of the activity in the range of 7-8 Hz. In other words, the signal emitted by the practitioner is not steady or constant; it 'sweeps' or 'scans' through a range of frequencies. Studies show that nerve regeneration is stimulated at 2 Hz, bone growth at 7 Hz, ligament healing at 10 Hz,



*Figure 5. Signal from the hands of a Therapeutic Touch practitioner, showing how the frequency sweeps through the range of frequencies that are used in clinical medicine to "jump start" healing in various tissues.*

stimulation of capillaries and fibroblasts at 15, 20 and 72 Hz. The evidence shows that practitioners can emit powerful pulsing biomagnetic fields in the same frequency range that biomedical researchers have identified for jump starting healing of soft and hard tissue injuries.

Acupuncture is one of the most ancient (2697 BC) and, until recently, mysterious methods of healing currently in therapeutic



use. The acupuncture points on the human body run along a meridian system deeply through tissues of the body. It has been found that the electrical resistance measured in the skin overlaying the acupoints is lower than the surrounding skin by a factor of approximately 10 to 1. It is suggested that meridian energetic-field inputs influence the signaling of the nervous system by varying the direct current (DC) of surrounding insulator glial cells that influence the production and transmission of action potential and neurotransmitter release by the nerves. Western science is now confirming the concepts that have been part of traditional energy medicine for thousands of years.

#### Current FDA Approved Technologies:

If a bone fracture fails to heal there is a good chance that a physician will prescribe pulsed EMT therapy. The external application of specific frequency EMT across a fracture site appears to be all that is needed for the desired healing. EMT can convert a stalled healing process into active repair, even in patients unhealed for as long as 40 years. This therapy has also been shown to reduce osteoarthritis pain with no adverse effects.

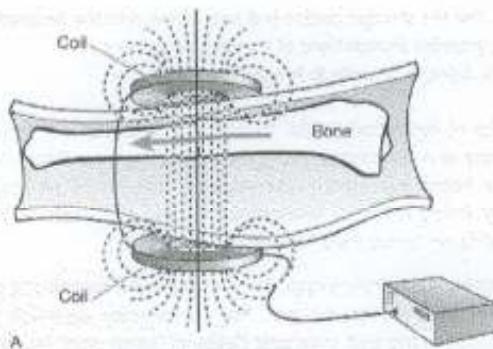


Figure 6. FDA approved device for bone healing.

Another approved application that has recently come of age is the use of electrical stimulation for the relief of pain. Stimulation of peripheral nerves at a level above the entry of the pain impulse to the spinal cord inhibits pain signaling. Modern transcutaneous nerve

stimulators produce weak electrical pulses to skin electrodes, stimulating cutaneous nerves to inhibit sensory information of physical pain to be sent to the brain. Magnetic Resonance Imaging (MRI) produces images of the human body based on changes in the distribution and structure of molecules to high intensity electromagnetic waves. MRI capitalizes on the frequency specific magnetic properties of protons (hydrogen atoms in water). In the strong magnetic field, the random distributions of protons resonate and align their axes. When the radio wave beam is suddenly switched off, energy is released from the stimulated protons and is picked up by detectors situated in a circle around the patient in the MRI scanner. For more technical information on the mechanisms of low frequency EMT visit the pulsed signal therapy website ([www.certifiedpst.com](http://www.certifiedpst.com) and [www.bioem.f25.com/ricerca.html](http://www.bioem.f25.com/ricerca.html)).

#### NFAM's Future Perspective:

Recently, international scouts from NFAM have identified an increasing trend in the use of non-invasive EMT devices to treat cancer patients outside the United States. While several traditional methods have been shown to produce energetic fields, we feel that reproducibility of these methods would be hard to control for large-scale studies. NFAM has focused on the identification of electromagnetic devices that deliver highly reproducible electromagnetic frequencies that we think merit clinical investigation. EMT fields have advantages over electric fields because they are non-invasive, and can be used to treat both soft and hard tissues simultaneously. Advances in the electronics of EMT devices allow reproducible modulation of the frequency, amplitude (i.e. strength) and shape of the energy waves. The majority of devices identified by NFAM scouts use low frequency electromagnetic energy to stimulate the body's defense and repair mechanisms. These new devices offer the advantages of being non-invasive and minimally toxic compared to the non-specific destructive



effects of higher frequencies (i.e. radiation, hyperthermia). However, NFAM is also planning to evaluate a few invasive electrical devices that implant electrodes into either a tumor or acupuncture point (i.e. elec-

troacupuncture) in order to compare their efficacy to EMT devices. The remainder of this document discusses the effects of low frequency EMT on regulation of cellular function in normal and cancerous cells.

## V. Cancer Electromagnetic Frequency Therapy

*I conclude, as I did seven years ago, that our decades of war against cancer have been a qualified failure.*

— J.C. Bailar III, (MD, PhD) Harvard University  
at the Vice President's Cancer Panel Meeting

CANCER IS THE END RESULT of a series of genetic alterations that modify the control of proteins that promote (i.e. oncogenes) or inhibit (i.e. suppressor genes) cell proliferation. Conventional chemotherapy and radiation employ non-specific toxic effects to inhibit the proliferation of both normal and tumor cells. Hence, side effects include hair loss, digestive problems and immune suppression. In order to reduce toxicity, current academic and pharmaceutical investigations are focusing on identifying novel methods to reverse cancer specific alterations in oncogenes or suppressor genes. An example of a well-publicized new therapy is the oncogene inhibitor (Gleevec). However, this new 'silver bullet' drug is limited because the tumor must contain a specific and rare genetic alteration in order for the drug to be effective and because of the general genetic instability that can make tumors resistant to the therapy. In order to target the majority of tumor types and avoid drug resistance, state-of-the-art drug discovery approaches are attempting to upregulate the immune system and inhibit tumor blood supply. Despite effective inhibition of tumor growth in preclinical animal models, many immune enhancement and blood vessel inhibitors have failed to show significant improvement compared to con-

ventional chemo/radiotherapies in human clinical trials.

Specific low frequency EMT has been reported to restore the homeostatic function of genes involved with controlling cell growth. An assembly of cells, as in a tissue or organ, will have certain collective frequencies that regulate important processes, such as cell division. Normally these frequencies will be very stable. If, for some reason, a cell shifts its frequency, entraining signals from neighboring cells will tend to reinstall the correct frequency. However, if a sufficient number of cells get out-of-step the strength of the system's collective vibrations can decrease to a point where stability is lost. Loss of coherence can then lead to disease or disorder. While pathology may manifest as chemical imbalance, the underlying problem is electromagnetic. Hence, providing the correct or 'healthy' frequency that entrains the oscillations back to coherence can restore growth control.

Published studies using cancer cell cultures and animal tumor models demonstrate that EMT induces cell death (i.e. apoptosis). The correlation between cell membrane potential and cancer cell proliferation was detailed in a classic paper by Cone (1970). Direct measurements showed 6.0-7.5 times higher conductances in tumors compared to normal tis-



sues. The electrical changes arise because rapidly proliferating and transformed cells have lower membrane potential compared with normal cells. The cancer cells transmembrane electrical potential is reduced (-20mV) versus normal cells (-90mV). This reduction is analogous to a battery that has lost ~80% of its charge. EMT has been shown to modulate the activity of the sodium potassium pump that is responsible for setting the transmembrane potential. Recent studies at Columbia University have mapped the optimal frequencies to control the activity of numerous enzymes including the sodium potassium pump (Bioelectrochemistry 53:171-4, 2001). The specific cellular machinery (i.e. DNA response elements) that turn on and off genes in response to electromagnetic frequencies has been recently identified (J Cell Biochem 81:143-8, 2001). Interestingly, several of the genes regulated by EMT have been shown to be important for the growth of cancer cells. Currently, state of the art genomic technologies are being used further characterize the changes in gene expression induced by specific frequencies.

In addition to direct anti-tumor effects, EMT has been shown to enhance the immune system and to inhibit the blood supply of tumors. During the past two decades, the effects of electromagnetic exposure on the immune system have been extensively studied. Similar to a vaccine, specific frequencies can mimic antigen signaling and induce lymphocytes (T, B, and natural killer cells) to attack tumor cells. Recent studies at EMF Therapeutics demonstrated that specific frequencies can inhibit cancer by blocking the tumor blood supply (Anticancer Res 21: 3887-91, 2001). *Thus, EMT can powerfully combat cancer by; 1) directly inducing tumor cell death (i.e. apoptosis), 2) activation of an anti-tumor immune response, and 3) starving tumor cells by inhibiting the blood supply (angiogenesis).*

*A critical technical review of peer-reviewed scientific literature regarding the effects of electromagnetic therapies on cancer is currently being prepared for publication. Please email [mneven@nfam.org](mailto:mneven@nfam.org) if you would like a copy of this document.*

## VI. Clinic Investigation Status

*The most beautiful thing we can experience is the mysterious. It is the source of all true art and all science. He to whom this emotion is a stranger, who can no longer pause to wonder and stand rapt in awe, is as good as dead: his eyes are closed.*

— Albert Einstein, PhD

**B**ASED ON extensive research and networking, NFAM has identified a series of devices that have been developed for controlled delivery of specific frequencies to treat cancer and other degenerative diseases. These devices use various frequencies different than those used for treatments currently approved by the FDA.

Traditional radiation therapy for cancer uses high frequency ionizing radiation that destroys cells by destroying both normal and tumor cells. Newer FDA approved devices induce specific heating of tissues, termed hyperthermia, to destroy both tumor and surrounding normal cells. In order to introduce new technologies into



cancer treatment, NFAM is currently focusing on EMT devices that use low frequencies that do not cause heat (i.e. hyperthermia) or ionization (conventional radiotherapy).

The following clinics were identified by NFAM international medical scouts, Internet searches, and networking with researchers around the world. These clinics hold the most promise for further clinical research to establish the efficacy of EMT for cancer treatment. We propose to visit some of the following clinics to examine cancer patient records before

and after treatment with the various EMT devices. The clinics that we determine to have the most compelling patient responses (i.e. tumor regression, increased patient survival) will be provided funding to perform Phase II clinical trials to determine the effectiveness of the treatments.

Because of the large number of clinics and our limited resources, NFAM is currently planning visits only to clinic sites that have the highest probability of successfully completing a rigorous Phase II clinical trial.

### **NFAM Requirements for Clinic Visits:**

1. Use unconventional treatment(s) as compared with accepted cancer therapies used in the United States.
2. Provide NFAM with a general description of the treatment method(s) used.
3. Make available medical records that document successful treatment of cancer. Records must document that cancer was present at the time the treatment was started, as well as document successful treatment.

*The detailed guidelines to evaluate "best cases" is available from the NFAM office.*

### **NFAM Requirements for Clinical Research Including Phase II Trials:**

1. Sufficient clinical evidence for 5-10 cancer patients documenting successful treatment. Priority will be given to clinics demonstrating effective treatments for cancers with very poor prognosis.
2. Preliminary data on what type(s) of cancer respond, in order to design an optimal phase II prospective trial.
3. Willingness to collaborate with leading Universities on clinical trial design and validation.
4. Adequate facilities for performing imaging and diagnostic studies should be available in the vicinity of the clinic.
5. Ability to treat at least 20 patients with a specific cancer type in 12 months.



## The Mission of the NFAM Medical Team

To establish international collaborations, to identify effective complementary and alternative medical treatments for degenerative diseases, to scientifically evaluate the protocols and outcomes of these treatments, and to report the findings to the public free of charge.

### VII. Preliminary List of Clinics

*Round about the accredited and orderly facts of every science there ever floats a sort of dust-cloud of exceptional observations, of occurrences minute and irregular and seldom met with, which it always proves more easy to ignore than to attend to... Anyone will renovate his science who will steadily look after the irregular phenomena, and when science is renewed, its new formulas often have more of the voice of the exceptions in them than of what were supposed to be the rules.*

—William James

► **Panos T Pappas BioElectroDynamics ([www.papimi.gr](http://www.papimi.gr))  
Athens, Greece**

Application Centers Worldwide <http://www.papimi.gr/applcntr.htm>  
The PAP ion magnetic induction (IMI) device developed by Dr Pappas is an ultra fast, short duration and athermic biopolar magnetic and induced electric pulse generator. The IMI device utilizes pulsed electromagnetic fields to generate or induce electric pulses inside biological matter. The website lists case report summaries claiming efficacy in a wide variety of advanced cancers ([www.papimi.gr/index-5.htm](http://www.papimi.gr/index-5.htm)).

► **Suleyman Seckiner Gorgun  
Istanbul, Turkey**

Reported preliminary clinical results in advanced cancer patients in *Frontier Perspectives* published by Temple University. During the first half of treatment, the static or variable magnetic field at 50 Hz, the pulsed electric field, and the pulse electromagnetic field are all used simultaneously. In the second half, the static or variable magnetic field is not applied. The electromagnetic pulsed field is kept in phase or counter-phase. The frequency of the electromagnetic field and the temporal width of the square carrier wave are fixed according to the histological type of the tumor, grade of differentiation, mass, and location. No website.



- ▶ **Hans Kempe GKA System ([www.mcm-fpm.ch](http://www.mcm-fpm.ch))**  
**Prime International Schweiz, Switzerland**  
 The GKA System consists of octagonal chambers with 24 coupled frequency generators, 24 oscillation modules and a high-speed computer. Theoretically, the technology delivers 62 unique frequencies to restore electromagnetic balance of the sodium potassium pump in diseased cells.
  
- ▶ **Nikken Corporation (California)**  
**Magnetic Health Science Foundation, (Tokyo, Japan)**  
 Developed several electromagnetic therapy devices that have been used in Japan for over ten years. The Magnetic Health Science Foundation supports research on the biological effects of magnetism.
  
- ▶ **Essaidi Therapy**  
**The Netherlands**  
 The Essaidi Aqua Tilis cabin regulates temperature, pressure, light intensity and energy using a computerized system. The patient is surrounded by a specific water vapor called Aquatilis that inhibits the action of surplus free radicals. Heartbeat, blood pressure, and respiration are under constant control and cabin functions are adapted to the specific condition of the patient. No website.
  
- ▶ **Margit Michel-Donate (<http://www.ams-magneticfieldtherapie.de>)**  
**Germany**  
 Margit uses magnetic therapy machine along with other modalities to treat cancer. The magnetic therapy device is made by Advanced Medical Systems by Dr Frank Beck.
  
- ▶ **Paracelsus Clinic (<http://paracelsus.ch/e/index.htm>)**  
**Switzerland**  
 The clinic was founded in 1958 as a center for health and well-being based on the principles of natural healing. Since then it has continually integrated and adapted to the evolving and developing models of biological and holistic medicine. Dr Rau is currently using several electromagnetic therapies to treat cancer patients.
  
- ▶ **Zoetron Therapy ([www.csct.com](http://www.csct.com))**  
**Europe [csctbe@pi.be](mailto:csctbe@pi.be), North America [cacsct@aol.com](mailto:cacsct@aol.com)**  
 CSCT 300 Therapy contrives to arrange a variable frequency, and a pulsed, complex magnetic field to produce directed energy that is capable of disrupting the micro-changes that constitute the ionic pathways. The website contains information about preliminary clinical study of twenty five stage III/IV pancreatic cancer patients that claims 322% increase in survival (<http://www.csct.com/pancreatic.html>).



- ▶ **Rapsomanikis Bio-Ionic System ([www.biophysicaltherapy.com](http://www.biophysicaltherapy.com))**  
**Bio-Physical Therapy Centre, London, England**  
 The Bio-Ionic System Mark II uses 15-20 conducting pads placed on the skin to release free electrons. The system has been reported to work for EBV induced chronic fatigue system. Company literature indicates it is useful for restoration of damaged nerves, muscular dystrophy, and other viral diseases. Limited efficacy data in cancer patients.
  
- ▶ **Humlegaarden ([www.humlegaarden.dk](http://www.humlegaarden.dk))**  
**Finn Skøtt Andersen (M.D.), Denmark**  
 Uses magnetic benches developed by the Swedish engineer Ivan Troeng that has a static field of 650 gauss. In addition, they use short wave treatment to stimulate the pituitary gland using a method developed by professor Schliephake from Giessen in Germany. The clinic also uses a variety of other treatments from mistletoe to psychotherapy. In addition, Humlegaarden hosted the International Association for Biologically Closed Electric Circuits in Biomedicine started by Bjorn Nordenstrom (book: Biologically Closed Electrical Circuits). Electrochemical therapy developed by Nordenstrom, under the direction of Dr Xin Yu-Ling, has treated more than 10,000 cancer patients in Beijing.
  
- ▶ **Electromagnetic Biofeedback Institute (<http://www.bicomresonance.com>)**  
**Germany**  
 Bioresonance devices detect both healthy and pathological frequencies emitted from the body. The BICOM device filters out the pathological frequency patterns, which cause illness, and transforms them into therapeutically effective frequency patterns. NFAM plans to attend the 42nd International Colloquium in Fulda, Germany to learn more about this technology (<http://bicomresonance.com/Colloquium.innu>).
  
- ▶ **Fuda**  
**Taiwan**  
 Dr Fuda developed his own electrostim device to treat acupuncture points in cancer patients. He is currently treating 150 cancer patients a day and was visited by Michael Roland who works with Andrew Weil's organization. Dr Fuda claims about 40% overall success in cancer patients. No website.



- ▶ **Rudolph Pekar, Onkologische Schwerpunktpraxis**  
**Austria, Herr Laaber 43-6132-24568 English Translator**  
 A recent publication "Galvanotherapy percutaneous bio-electrotherapy for the elimination of malignant tumors" appeared in Townsend Letters for Doctors and Patients (November 2001). Thousands of cancer patients have been successfully treated using this treatment in China. No website.
  
- ▶ **Eastern Europe Clinics**  
**Dr William Pawluk**  
 Currently we are collaborating with Dr Pawluk who co-authored the book "Magnetic Therapy in Eastern Europe – A Review of 30 Years of Research" to identify promising clinics to visit. Various countries in Eastern Europe have developed the Polyus, ALIMP, MGTP-3, UNIMAG devices. No website. NFAM is attending International Symposium on Endogenous Physical Fields in Biology to identify additional collaborators in Eastern Europe and Russia (<http://www.ure.cas.cz/events/epfb2002/>) and International EMF and Health Conference ([http://www.who.int/pehemf/Meetings\\_info/Russia2002.htm](http://www.who.int/pehemf/Meetings_info/Russia2002.htm)) to identify additional collaborations in Eastern Europe and Russia.
  
- ▶ **Laboratory of Biocybernetics**  
**University of Ljubljana, Slovenia**  
 The University of Ljubljana is a leader in cellular electro-engineering research of cancer. They investigate the means and procedures by which physiological state of certain cell, tissue, organ or organism as a whole can be altered on cellular level.
  
- ▶ **Demetrio Sodi Pollares**  
**Mexico**  
 Dr Pollares is a world-renowned cardiologist who has written numerous articles and over a dozen books on various aspects of cardiovascular disease. He achieved international fame decades ago by showing that mortality rates following an acute heart attack could be significantly reduced by the intravenous administration of a concentrated solution of glucose containing potassium and insulin. Currently, he is using magnetotherapy in combination with his polarizing solution for the treatment of cancer patients. No website.



- ▶ **Sanoviv Health Retreat**  
**Mexico**  
Sanoviv offers a variety of treatments for total body detoxification and renewal of the mind, body, and spirit. Dr Darko Mardjetko is using a variety of electromagnetic therapies to treat cancer patients.
  
- ▶ **Irena Kossovskaja -Walker**  
**MediSCEN, Inc, Ontario, Canada**  
MediSCEN is focused on implementing discoveries of Russian space medicine. Their non-invasive bioenergo-informational therapies have been used to treat a variety of degenerative diseases including cancer. No website.
  
- ▶ **Beam Ray Corporation**  
**Alabama**  
The Beam Ray sound and light generator is based on the Rife frequency device and uses an Argon/Neon mixture to emit energy in the infrared spectrum and produces electromagnetic energy (pico-magnetic gauss). The unit is available in the US. NFAM is attending the Rife 2002 International Health Conference to fully assess recent developments using this technology (<http://www.rifeconference.com/speakers.html>).
  
- ▶ **Rife Technology, Inc. ([www.rifetechnology.com](http://www.rifetechnology.com))**  
**Canada**  
The RifeBare device is a variant of the technology developed by Dr. Rife that utilizes a variable audio frequency square wave to generate significant amounts of harmonics and what are known as sidebands in the radio wave. Currently, there are presently in excess of 3500 in use worldwide.
  
- ▶ **David Spall (Quantronic Resonance Therapy)**  
**Queensland Prostate & Cancer Clinic, Australia**  
The clinic was established in 1996 to provide treatment options for cancer patients, hitherto unavailable in Australia. The pulsing electromagnetic field of the Quantronic System has been reported to successfully benefit a broad spectrum of cancer patients, including several with stage 3 and stage 4 disease ([www.quantronic.com/casestudies.htm](http://www.quantronic.com/casestudies.htm)). Dr William Pawluk wrote an excellent article that summarizes his presentation at the North American Academy of Magnetic Therapy ([www.quantronmedicine.com/pages/general\\_research.html](http://www.quantronmedicine.com/pages/general_research.html)).



## VIII. Selected References

- Basic Introduction to Bioelectromagnetics, by Durney, C.H. and Christensen, D.A. *CRC Press*. 1999.
- Bioelectromagnetics Applications in Medicine in Alternative Medicine Expanding Medical Horizons. by Rubik, B., Becker, R.O., Flower, R.G., Hazlewood, C.F., Liboff, A.R., and Walleczek, J. *National Institutes of Health Workshop*. 45-65, 1992.
- Bioresonance Therapy: Healing With the Body's Own Oscillations and with the Oscillations of Substances. Will, R.D., by Jopp-Verlag. 2000.
- Blueprint for Immortality – The Electrical Patterns of Life. by Burr, H.S., *Neville Spearman Publishers*. 1972.
- Cross Currents – The Perils of Electropollution, The Promise of Electromedicine, by Becker R.O., *Penquin Putnam Inc*. 1990.
- Electricity and Magnetism in Biological Systems. by Edmonds, D.T. *Oxford University Press*. 2001.
- Energy Medicine – The Scientific Basis. Forward by Candace Pert, by Oschman, J.L. *Churchill Livingstone/Harcourt Publishers Limited*. 2000
- Healing with Magnets. by Null, G. *Carroll and Graf Publishers*. 1998.
- Infinite Mind – Science of the Human Vibrations of Consciousness. by Hunt, V.V, *Malibu Publishing Co.*, 1996.
- Magnetic Therapy: The Pain Cure Alternative. by Lawrence, R., Plowden, J. and Rosch, P.J. *Prima Publishing*. 1998.
- Magnetic Therapy In Eastern Europe: A Review of 30 Years of Research. by Jerabek, J. and Pawluk, W. *Pawluk*. 1998.
- Molecules of Emotion – The Science of Mind-Body Medicine. Forward by Deepak Chopra. by Pert, C.B., *Touchstone*. 1999.
- Physics Part 2: Electromagnetism, Optics, and Quantum Mechanics. Third Edition. by Halliday, D., Resnick, R. *John Wiley & Son*. 1978.
- Self-Organized Biological Dynamics & Non-Linear Control. by Walleczek, J., *Cambridge*. 2000.
- Studies on the Interaction Between Electromagnetic Fields and Living Matter Neoplastic Cellular Culture. by Gorgun, S.S. *Frontier Sciences* 7: 44-60, 1998.
- The Handbook of Rife Frequency Healing: Holistic Technology for Cancer and Other Diseases. by Silver, Ph.D., Nina. *Stone Ridge*. 2001
- Transmembrane Potentials and Characteristics of Immune and Tumor Cells. by Niemtow, R.C. *CRC Press*, 1985.
- Vibrational Medicine for the 21st Century. by Gerber, R., *HarperCollins Publishers*. 2000.
- Virtual Medicine: A New Dimension in Energy Healing. by Scott-Mumby, K. Kirkman, M.F. *Thorsons Publishers*. 1999.



